

Honeywell

Instruction Manual

WARM MIST HUMIDIFIER

HWM845 series

GETTING TO KNOW YOUR HUMIDIFIER

Visible Warm Mist

- With warm mist humidification, water is boiled in a heating chamber and is then released into the air as warm mist.
- Because the water is boiled, it produces 99.5% bacteria free mist.¹
- Be careful not to over-humidify; if condensation forms around the unit or on walls and surfaces, turn the humidifier off or to a lower setting.



Humidity Level

- The ideal indoor humidity level is 40-60%
- Use a Honeywell humidity monitor (HHM10 or H10C) to check your indoor humidity level (not included)

For questions and information about this humidifier
Visit www.HoneywellPluggedIn.com or Call 800-477-0457

⚠️ IMPORTANT SAFETY INSTRUCTIONS

READ AND SAVE THESE SAFETY INSTRUCTIONS BEFORE USING THIS HUMIDIFIER

When using electrical appliances, basic precautions should always be followed to reduce the risk of fire, electric shock, and injury to persons, including the following:

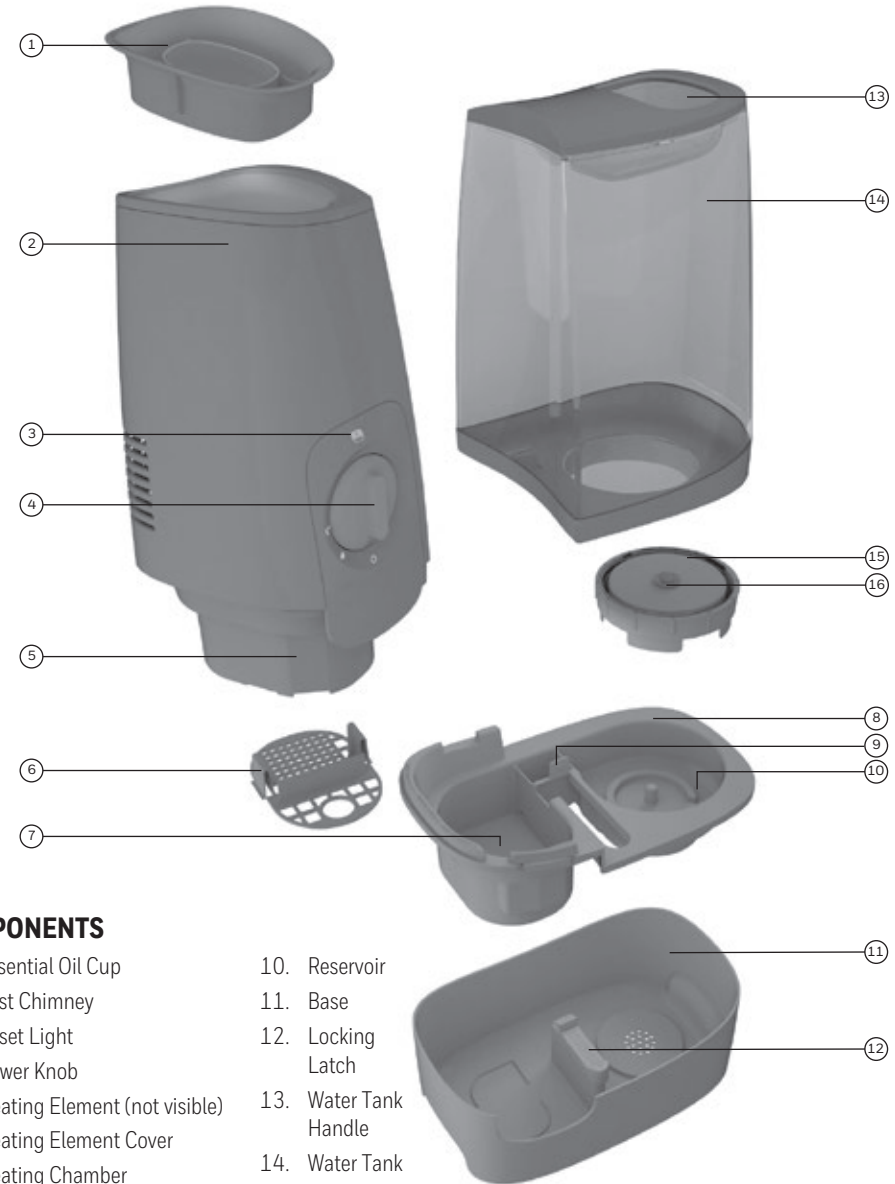
1. The humidifier should **ALWAYS** be placed on a firm, flat, waterproof surface at least four feet (1.2m) away from bedside, 12 inches (30cm) from the wall and out of reach of children and pets.
2. Be sure the humidifier is in a stable position and the power cord is away from heated surfaces and out of the way to prevent the humidifier from being overturned.
3. The humidifier should not be left unattended, especially in a closed room since air could become saturated and leave condensation on walls and furniture. If room becomes saturated, open the door and turn the humidifier off or down.
4. Before using the humidifier, extend the cord and inspect for any signs of damage. **DO NOT** use the unit if the cord has been damaged. **DO NOT** operate with power cord coiled or with twist tie in place.
5. The humidifier has a polarized plug (one blade is wider than the other) as a safety feature. This plug will fit into a polarized outlet only one way. If the plug does not fit fully into the outlet, reverse the plug. If it still does not fit, contact a qualified electrician. **DO NOT** attempt to defeat this safety feature.
6. ⚠️ **CAUTION:** To avoid fire or electric shock hazard, plug the humidifier directly into a 120V AC electrical outlet. To avoid risk of fire, electric shock, or personal injury, **DO NOT** use an extension cord or power strip.
7. The humidifier should **ALWAYS** be unplugged and emptied when not in operation or while being cleaned. Shut off and unplug humidifier before moving. **DO NOT** move or tilt humidifier while it is in operation. Plug and unplug unit with dry hands. **NEVER** pull by cord.
8. **DO NOT** operate the humidifier without water. Turn off and unplug unit when tank is empty and the reset light is on.
9. Humidifier requires regular cleaning. Refer to and follow cleaning instructions.
10. **DO NOT** operate outdoors; this humidifier is intended for indoor residential use only.
11. **DO NOT** cover or insert objects into any openings on the unit. **DO NOT** block intake or output vents.
12. **DO NOT** attempt to repair or adjust any electrical or mechanical functions on this humidifier. Doing so will void your warranty.
13. **DO NOT** add any essential oils or medications (e.g. Kaz Inhalant or Vicks VapoSteam®) into Chimney, Reservoir, or Water Tank.
14. **DO NOT** touch the steam vapor. Steam can cause burns. **DO NOT** operate without the Essential Oil Cup in place on top of the Mist Chimney.
15. For Residential Use Only

SAVE THESE INSTRUCTIONS.

GETTING TO KNOW YOUR WARM MIST HUMIDIFIER

How it Works

The tank feeds water into the boiling chamber where it is heated to a steam vapor. The steam vapor mixes with dry air in the mist chimney and warm moist air is released into the room. When the humidifier runs out of water, the reset light will illuminate and the unit will shut off.



COMPONENTS

- | | |
|----------------------------------|-----------------------|
| 1. Essential Oil Cup | 10. Reservoir |
| 2. Mist Chimney | 11. Base |
| 3. Reset Light | 12. Locking Latch |
| 4. Power Knob | 13. Water Tank Handle |
| 5. Heating Element (not visible) | 14. Water Tank |
| 6. Heating Element Cover | 15. Tank Cap |
| 7. Heating Chamber | 16. Plunger |
| 8. Water Tray | |
| 9. Water Tray Tab | |

¹ Based on Intertek Testing Services NA, Inc. Independent Laboratory Testing Report 103340980COL-001. Results are based on the reduction of the following organisms after 1 hour of continuous use:
Bacteria: E. coli up to 99.999% after 1 hour of continuous use
Fungus: P. citrinum up to 99.999% after 1 hour of continuous use
Mold: A. niger up to 99.999% after 1 hour of continuous use
Virus: Phi-X174 up to 99.999% after 1 hour of continuous use

SETTING UP YOUR HUMIDIFIER

1. Remove packaging materials. Keep this Instruction Manual for reference.
2. Remove twist tie from power cord and extend power cord full length.
3. Ensure Proper Assembly. Make sure Mist Chimney, Essential Oil Cup, and Water Tray are securely in place and that Heating Element Cover is secured. See *Reassembling* instructions after *Cleaning your Humidifier* section for reference.
4. Place humidifier on a firm, level, water resistant surface a minimum of 12 inches (30 cm) from walls. Steam should be directed away from any walls, bedding, and furniture.



⚠ WARNING : KEEP OUT OF REACH OF CHILDREN. THIS PRODUCT PRODUCES HOT STEAM AND SHOULD BE PLACED IN AN AREA NOT ACCESSIBLE TO CHILDREN OR PETS, WITH THE POWER CORD OUT OF REACH.

FILLING / REFILLING

NOTE: Tank should be carried using two hands; one hand on the Tank Handle and the other supporting the bottom of the Tank.

Manufacturer will not accept responsibility for property damage caused by water spillage.



1. Remove Tank by grasping Handle and pulling up. Remove Tank Cap by turning counter clockwise (to the left).
2. Fill Water Tank with cool water. **DO NOT** fill with warm or hot water. **DO NOT ADD ESSENTIAL OILS, MEDICATIONS, OR INHALANT LIQUIDS** to the Water Tank. Doing so could cause damage to the humidifier and void the warranty.
3. Replace Tank Cap by turning clockwise (to right) to screw back in place. **DO NOT** over-tighten. Place Water Tank back on humidifier Base.

RESETTING YOUR HUMIDIFIER

When your humidifier is out of water, the Reset Light (💡) will illuminate. To reset:

1. Turn power OFF (⏻)
2. Refill and replace Tank
3. Wait 5 minutes and turn power ON (🔌)
NOTE: If Reset Light (💡) is still on, clean the Heating Element (see *Cleaning Instructions* section)



USING YOUR HUMIDIFIER

1. **Power:** With the Power Knob in the OFF position (⏻), plug the filled humidifier into a polarized 120V outlet.
⚠ CAUTION: To avoid electric shock, DO NOT plug in humidifier with wet hands.
2. **Output:** Turn Power Knob to high (💧) or low (💧). A green light will indicate the humidifier is working, but it will take 3-4 minutes for visible steam to appear.
3. **Humidity Level:** Once a comfortable humidity level has been reached, turn to the low setting. A comfortable humidity level is between 40-60%. Consider using a humidity monitor such as Honeywell HHM10 /H10C to display current room humidity and temperature. If condensation forms on walls, windows, or around unit, turn humidifier off; the humidity level is too high.



⚠ CAUTION: TURN HUMIDIFIER OFF, UNPLUG AND WAIT 20-30 MINUTES FOR UNIT TO COOL BEFORE MOVING OR CLEANING. DO NOT OPERATE YOUR HUMIDIFIER WITHOUT THE TANK IN PLACE OR IF THE UNIT IS EMPTY. DO NOT OPERATE YOUR HUMIDIFIER WITHOUT THE MIST CHIMNEY, WATER TRAY, HEATING ELEMENT COVER, AND ESSENTIAL OIL CUP PROPERLY ASSEMBLED.

NOTE: Consider using a Protec® Cleaning Ball to keep your humidifier cleaner longer.

It will continuously clean and protect against bacteria and mold. It will also help prevent the buildup of slime in the water and on humidifier surfaces. The Protec Ball will keep your humidifier cleaner longer between cleanings. However, your humidifier still needs to be cleaned regularly.



USING THE ESSENTIAL OIL CUP

This humidifier features an Essential Oil Cup that can be used with your favorite essential oil or liquid inhalant for added enjoyment. This is not a diffuser - the oil does not come in contact with water and is passively evaporated into the air. Essential oil and inhalant sold separately.



1. Add a few drops of essential oil or liquid inhalant in the Cup.
⚠ WARNING: DO NOT pour any liquids into the Mist Chimney. **DO NOT ADD LIQUID INHALANTS, ESSENTIAL OILS OR ANY ADDITIVES TO THE WATER. DOING SO CAN HAVE ADVERSE EFFECTS ON THE HUMIDIFIER AND VOID THE WARRANTY.**
2. To clean the Essential Oil Cup, ensure the humidifier is off, unplugged, and cooled for at least 20 minutes and gently wipe residue from the Essential Oil Cup.

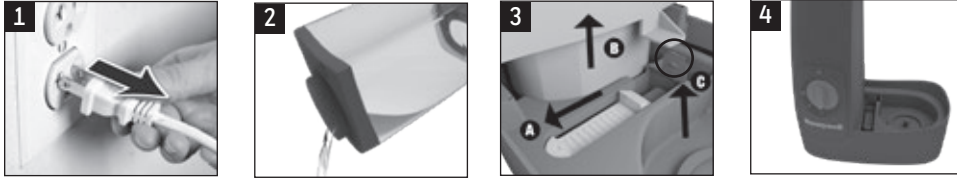
CLEANING YOUR HUMIDIFIER

To keep your humidifier running efficiently, clean it regularly. Weekly cleaning is recommended. All maintenance should be done in the kitchen or bathroom on a water-resistant surface near a faucet.

To properly clean your humidifier, we recommend the separate processes of Scale Removal and Disinfecting.

These two processes must be performed separately.

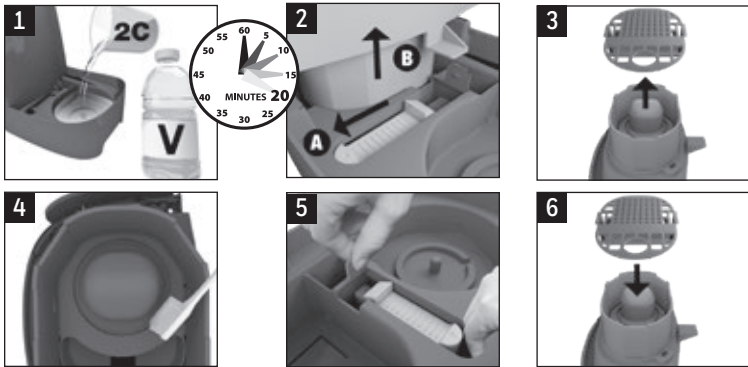
Before Cleaning



1. Turn off and unplug humidifier. **NEVER** clean the humidifier when it is running. **If the humidifier has recently been in use, wait at least 20-30 minutes for unit to cool before beginning cleaning process.**
2. Remove any accessories, and empty oils from the Essential Oil Cup. Then remove and empty Water Tank and set aside.
3. Pull red Locking Latch toward front of unit (a) and lift Mist Chimney up (b) to remove. Remove Water Tray from Base by pulling up from the Tab (c) and the opening in front of the Latch, then empty Water Tray.
4. Replace Water Tray and Mist Chimney. These must be in place for cleaning.
See *Reassembling instructions* after *Cleaning your Humidifier* section for reference.

Scale Removal

Keeping the Heating Element free of scale will help the humidifier to run efficiently.



1. Remove Water Tank and slowly pour 2 cups (0.5 liters) of undiluted, distilled white vinegar into the Reservoir on the Water Tray. **DO NOT** pour vinegar over the red Locking Latch. Only pour into the deep Reservoir.
NOTE: Pour slowly to give enough time for vinegar to flow from the Reservoir into the Heating Chamber. The vinegar will slowly begin to fill the Heating Chamber, located under the Mist Chimney. Let soak for 20 minutes to loosen scale on the Heating Element.

For Tank scale removal:

While Heating Element is soaking, pour additional vinegar into the Water Tank, replace Tank Cap and swish to coat inside of Water Tank. Use a cloth dampened with vinegar to wipe away any scale on the inside of the Water Tank and Tank Cap. Empty vinegar and rinse Tank until the smell of vinegar is gone.

CLEANING YOUR HUMIDIFIER (continued)

2. Remove the Mist Chimney by gently sliding red Locking Latch towards the front of the unit (a) and lifting Mist Chimney upwards (b).
3. Remove Heating Element Cover by lifting from the large round opening and pulling away from the Mist Chimney.
4. Wet the bristles of a soft brush with vinegar from the Water Tray and gently scrub the surface of the Heating Element, Heating Element Cover, Reservoir, and Heating Chamber to remove mineral deposits.
DO NOT USE HARD BRUSHES, STEEL WOOL, OR OTHER HARD ABRASIVES ON THE HEATING ELEMENT. DOING SO WILL DAMAGE THE HEATING ELEMENT. DO NOT POUR VINEGAR DIRECTLY ONTO THE HEATING ELEMENT.

If scale is still visible on the Heating Element, moisten a paper towel with vinegar, and wrap it around the Heating Element. Let it sit for 30 minutes or until scale loosens.

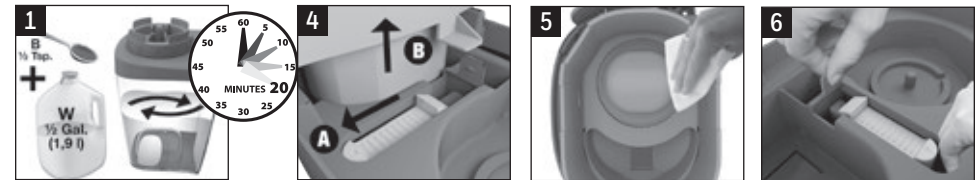
IMPORTANT: Remove paper towel from the Heating Element before proceeding to the next step.

5. Remove Water Tray by gently lifting from the Tab and the opening in front of the Latch, and empty vinegar in sink. Rinse Water Tray and Heating Element Cover with water until the smell of vinegar is gone.
6. With a soft damp cloth, wipe Heating Element to remove any excess scale. Press Heating Element Cover back on the bottom of the Mist Chimney. It will only fit one way.

⚠ CAUTION: DO NOT RINSE HEATING ELEMENT OR MIST CHIMNEY IN SINK OR UNDER RUNNING WATER AS WATER CAN GET INTO INTERNAL PARTS. DOING SO WILL DAMAGE THE HUMIDIFIER AND VOID THE WARRANTY. ONLY USE A WET CLOTH OR PAPER TOWEL TO CLEAN THIS PART.

Disinfecting

Before starting the disinfecting process, follow Steps 1-4 in *Before Cleaning* section.



NOTE: Bleach may stain clothes. It is recommended that you wear rubber gloves during this process to protect your hands.

1. Mix ½ gallon (1.9 L) of water with ½ teaspoon of bleach. Pour the bleach solution into the Water Tank. Replace Tank Cap and gently swish to coat the entire inside. **NOTE:** Using more than ½ teaspoon of bleach to ½ gallon (1.9 L) of water may result in damage to the humidifier.
2. Place Water Tank on Base. Bleach solution will drain into the Water Tray. Let soak for 20 minutes.
3. Remove Tank and slowly empty bleach solution into sink. Rinse with water until the smell of bleach is gone.
4. Remove the Mist Chimney by gently sliding red Locking Latch towards the front of the unit (a) and pulling Chimney upwards (b).
5. Remove Heating Element Cover by lifting from the large round opening and pulling away from the Chimney, and rinse with Water. With a soft damp paper towel, wipe Heating Element until the smell of bleach is gone.
6. Carefully remove Water Tray by lifting from the Tab and the opening in front of the Latch, and empty bleach solution into sink. Rinse Water Tray and Heating Element Cover with water until the smell of bleach is gone. Wipe Water Tray to dry.

CLEANING YOUR HUMIDIFIER (continued)

Dishwasher Safe

The following parts are TOP RACK dishwasher safe for residential dishwashers operating at temperatures below 70°C/158°F: **Essential Oil Cup, Water Tray and Heating Element Cover.**



Run the dishwasher on the light duty or normal cycle. **DO NOT** wash with soiled articles/dishes. **DO NOT** use detergents.

NOTE: DO NOT place parts on lower rack of dishwasher. Doing so could cause damage to the humidifier parts and dishwasher. The Water Tank, Mist Chimney and Base are **NOT** dishwasher safe. Placing these parts in the dishwasher will damage your humidifier and render it unable to operate properly.

Reassembling

1. Place Water Tray back in Base.
2. Ensure Heating Element Cover is secured back on the bottom of the Mist Chimney by snapping in place.
3. Slide red Locking Latch toward the front of the unit (a) and secure Mist Chimney to Base (b). Ensure Mist Chimney is secured to the Base and the Locking Latch is in the closed position.
4. Press Essential Oil Cup back in place.
5. Put Tank Cap back on Water Tank and place back on unit.



END-OF-SEASON CARE AND STORAGE

Follow the cleaning instructions when the humidifier will not be used for at least one week, or at the end of the season. At the end of the season, remove any accessories from the humidifier.

Dry the humidifier completely before storing. **DO NOT** store with water inside the Water Tray or Water Tank. Pack unit in original carton and store in a cool, dry location.

TROUBLESHOOTING

If your Humidifier is not working properly, refer to the following:

PROBLEM	POSSIBLE CAUSE	SOLUTION
Power Knob is set to "On" and Power Knob light is off	<ul style="list-style-type: none"> • Unit not plugged in • No power at outlet 	<ul style="list-style-type: none"> • Plug unit in • Check circuits, fuses, test outlet
Power is "On" and no mist appears	<ul style="list-style-type: none"> • Water has not heated to boiling to produce steam 	<ul style="list-style-type: none"> • Wait 3-4 minutes after turning on
Little or no mist is produced	<ul style="list-style-type: none"> • No water in Tank • Unit is not level • Mineral deposits on Heating Element or Water Tray 	<ul style="list-style-type: none"> • Fill Water Tank • Place on a level surface • Follow Cleaning Instructions
Reset Light illuminated	<ul style="list-style-type: none"> • Water Tank is empty • Unit not reset after refill • Heating Element is covered in scale 	<ul style="list-style-type: none"> • Refill Water Tank • Follow Reset Procedure • See Cleaning Instructions
Water overflows from Reservoir	<ul style="list-style-type: none"> • Tank may be damaged • Tank Cap is not tight • Water Tray not seated properly 	<ul style="list-style-type: none"> • Check the Tank for leaks and replace if necessary • Tighten Tank Cap • Check Water Tray and secure into Base
Condensation forms around humidifier or windows	<ul style="list-style-type: none"> • Mist Intensity is set too high for room size or pre-existing humidity level 	<ul style="list-style-type: none"> • Decrease mist output to low setting or open door to the room

NOTE: Failure to keep this unit clean from mineral deposits normally contained in any water supply will affect the efficiency of operation of this unit. Customer failure to follow these instructions may void the warranty.

CONSUMER RELATIONS

We are here to help. Call us toll-free at: 1-800-477-0457
E-mail: consumerrelations@kaz.com

Or visit our website at: www.HoneywellPluggedIn.com

Please be sure to specify Model number HWM845.

NOTE: IF YOU EXPERIENCE A PROBLEM, PLEASE CONTACT CONSUMER RELATIONS FIRST OR SEE YOUR WARRANTY. DO NOT RETURN TO THE ORIGINAL PLACE OF PURCHASE. DO NOT ATTEMPT TO OPEN THE MOTOR HOUSING YOURSELF, DOING SO MAY VOID YOUR WARRANTY AND CAUSE DAMAGE TO THE HUMIDIFIER OR PERSONAL INJURY.

SPECIFICATIONS

Electrical rating: 120V, 60 Hz.

Capacity: 1 gallons (3.7 L)

If you experience a problem, please contact Consumer Relations. Do not return this humidifier to the original place of purchase.

Do not attempt to open the motor housing or tamper with the Power Knob yourself. Doing so may void your warranty and cause personal injury or damage to the product.

3 YEAR LIMITED WARRANTY

You should first read all instructions before attempting to use this product.

- A.** This 3 year limited warranty applies to repair or replacement of product found to be defective in material or workmanship. This warranty does not apply to damage resulting from commercial, abusive, unreasonable use or supplemental damage. Defects that are the result of normal wear and tear will not be considered manufacturing defects under this warranty. **KAZ IS NOT LIABLE FOR INCIDENTAL OR CONSEQUENTIAL DAMAGES OF ANY NATURE, ANY IMPLIED WARRANTY OF MERCHANTABILITY OR FITNESS FOR A PARTICULAR PURPOSE ON THIS PRODUCT IS LIMITED IN DURATION TO THE DURATION OF THIS WARRANTY.** Some jurisdictions do not allow the exclusion or limitation of incidental or consequential damages or limitations on how long an implied warranty lasts, so the above limitations or exclusions may not apply to you. This warranty gives you specific legal rights, and you also may have other rights which vary from jurisdiction to jurisdiction. This warranty applies only to the original purchaser of this product from the original date of purchase.
- B.** At its option, Kaz will repair or replace this product if it is found to be defective in material or workmanship.
- C.** This warranty does not cover damage resulting from any unauthorized attempts to repair or from any use not in accordance with the instruction manual.
- D.** This warranty does not cover the filters, pre-filters, UV bulbs or other accessories (if included) except for material or workmanship defects.

Honeywell

Manuel d'instructions

HUMIDIFICATEUR À VAPEUR TIÈDE

SÉRIE HWM845

APPRENDRE À CONNAÎTRE VOTRE HUMIDIFICATEUR

Vapeur tiède visible

- Avec l'humidification à vapeur tiède, l'eau est portée à ébullition dans la chambre d'ébullition, puis dégagée dans l'air sous forme de vapeur tiède.
- Comme l'eau a été bouillie, elle produit une vapeur exempte de bactéries à 99,5 %¹.
- Évitez de faire de la surhumidification; s'il y a de la condensation qui se forme autour de l'appareil ou sur les murs et surfaces, éteignez l'humidificateur ou mettez le débit à un réglage plus bas.



Taux d'humidité

- Le taux d'humidité intérieure idéal est de 40-60%.
- Utilisez un hygromètre Honeywell (HHM10 ou H10C) pour vérifier votre taux d'humidité (non compris).

Si vous avez des questions ou voulez de plus amples renseignements sur cet humidificateur :
Visitez notre site Web à www.HoneywellPluggedIn.com ou composez le **800-477-0457**

⚠️ CONSIGNES DE SÉCURITÉ IMPORTANTES

LISEZ ET CONSERVEZ CES MESURES DE SÉCURITÉ AVANT DE COMMENCER À UTILISER CET HUMIDIFICATEUR

Lorsque vous utilisez des appareils électriques, vous devez toujours prendre certaines précautions élémentaires pour réduire les risques d'incendie, de choc électrique et de blessure corporelle, notamment les suivantes :

1. L'humidificateur doit **TOUJOURS** être placé sur une surface ferme, plane et étanche à au moins quatre pieds (1,2 m) du lit, 12 pouces (30 cm) du mur et hors de la portée des enfants et des animaux de compagnie.
2. Assurez-vous que l'appareil est en position stable et que le cordon d'alimentation est éloigné des surfaces chauffantes et hors d'atteinte afin d'empêcher de renverser l'appareil.
3. L'humidificateur ne doit pas être laissé sans surveillance, surtout dans une pièce fermée puisque l'air pourrait devenir saturé et laisser de la condensation sur les murs et les meubles. Si la pièce devient saturée, ouvrez la porte et éteignez l'humidificateur.
4. Avant d'utiliser l'appareil, déroulez le cordon et examinez-le avec soin pour déceler tout signe de dégradation. Ne vous servez **PAS** de l'appareil si le cordon est abîmé. **DNE PAS** faire fonctionner l'appareil avec le cordon enroulé ou avec l'attache en place.
5. Cet appareil est muni d'une fiche polarisée (une branche est plus large que l'autre) qui ne s'insère dans les prises polarisées que dans un sens. Si la fiche ne pénètre pas totalement dans la prise, retournez la fiche. Si elle ne rentre toujours pas complètement dans la prise, ayez recours aux services d'un électricien agréé. N'essayez **PAS** de contourner cette mesure de sécurité.
6. ⚠️ **MISE EN GARDE** : Pour éviter les risques d'incendie ou de choc électrique, branchez l'humidificateur directement dans une prise électrique de 120V CA. Pour éviter les risques d'incendie, de choc électrique ou de blessure corporelle, n'utilisez **PAS** de rallonge ou de barre d'alimentation..

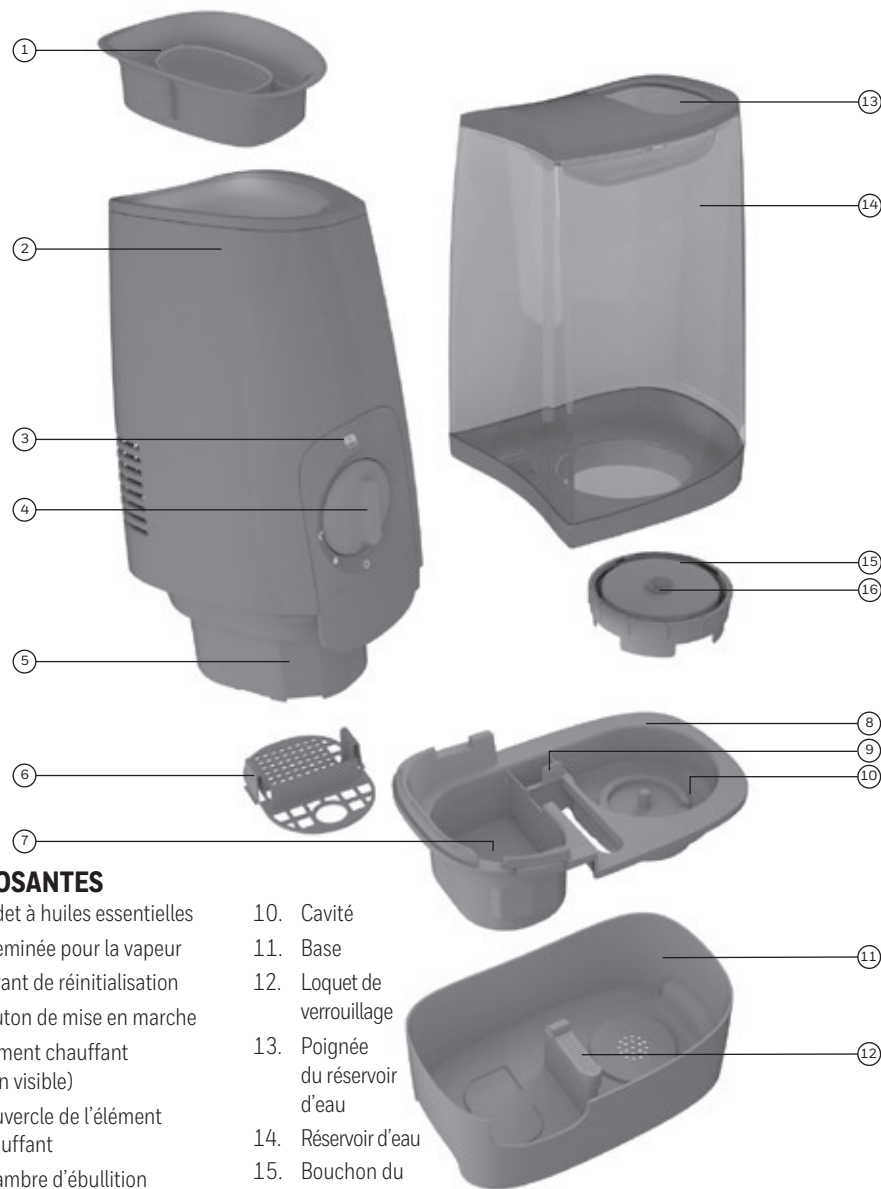
7. L'humidificateur doit **TOUJOURS** être débranché et vidé entre les utilisations et pour le nettoyer. Éteignez-le et débranchez-le avant de le déplacer. Ne le déplacez **PAS** et ne l'inclinez pas pendant qu'il fonctionne. Ayez les mains sèches pour le brancher et le débrancher. Ne tirez **JAMAIS** sur le cordon.
8. Ne faites **PAS** fonctionner cet appareil sans eau. Éteignez-le et débranchez-le lorsque le réservoir est vide et que le voyant de réinitialisation est allumé.
9. L'humidificateur doit être nettoyé régulièrement. Suivez les instructions d'entretien.
10. Ne faites **PAS** fonctionner l'appareil à l'extérieur; cet humidificateur n'est conçu que pour un usage résidentiel à l'intérieur.
11. Ne recouvrez **PAS** et n'insérez pas d'objets dans aucune ouverture de l'appareil. Ne bloquez **PAS** les fentes d'entrée ou de sortie d'air.
12. N'essayez **PAS** de réparer ou d'ajuster les fonctions électriques ou mécaniques de cet humidificateur. Le cas échéant, vous risqueriez d'annuler votre garantie.
13. N'ajoutez **PAS** d'huiles essentielles ou de médicaments (par ex. produit pour inhalation Kaz ou Vicks VapoSteam^{MD}) dans la cheminée, la cavité ou le réservoir d'eau.
14. Ne touchez **PAS** à la vapeur. La vapeur peut causer des brûlures. Ne faites **PAS** fonctionner l'appareil si le godet à huiles essentielles n'est pas bien positionné sur la cheminée pour la vapeur.
15. Est réservé à l'utilisation résidentielle.

CONSERVEZ CES INSTRUCTIONS

APPRENDRE À CONNAÎTRE VOTRE HUMIDIFICATEUR À VAPEUR TIÈDE

Fonctionnement :

Approvisionnée par le réservoir, la chambre d'ébullition chauffe l'eau qui devient vapeur. La vapeur se mélange à l'air sec dans la cheminée puis l'air réhydraté est renvoyé dans la pièce. Quand il n'y a plus d'eau dans l'appareil, le voyant de réinitialisation s'allume et l'appareil arrête de fonctionner.



COMPOSANTES

- | | |
|-------------------------------------|--------------------------------|
| 1. Godet à huiles essentielles | 10. Cavité |
| 2. Cheminée pour la vapeur | 11. Base |
| 3. Voyant de réinitialisation | 12. Loquet de verrouillage |
| 4. Bouton de mise en marche | 13. Poignée du réservoir d'eau |
| 5. Élément chauffant (non visible) | 14. Réservoir d'eau |
| 6. Couvercle de l'élément chauffant | 15. Bouchon du réservoir |
| 7. Chambre d'ébullition | 16. Piston |
| 8. Cuvette d'eau | |
| 9. Languette de la cuvette d'eau | |

¹ Basé sur le rapport d'analyse n° 103340980COL-001 des essais effectués dans les laboratoires indépendants d'Intertek Testing Services NA, Inc. Les résultats sont basés sur la réduction des organismes suivants après 1 heure d'utilisation continue :

Bactéries : E. coli : jusqu'à 99,999 % après 1 heure d'utilisation continue

Champignons : P. citrinum : jusqu'à 99,999 % après 1 heure d'utilisation continue

Moississure : A. niger : jusqu'à 99,999 % après 1 heure d'utilisation continue

Virus : Phi_X174 : jusqu'à 99,999 % après 1 heure d'utilisation continue

INSTALLATION DE VOTRE HUMIDIFICATEUR

1. Retirez l'emballage. Conservez ce livret d'instructions pour référence.
2. Enlevez l'attache du cordon d'alimentation et étirez le cordon à sa pleine longueur.
3. Vérifiez si l'assemblage est adéquat. Assurez-vous que la cheminée pour la vapeur, Godet à huiles essentielles, et la cuvette d'eau sont bien en place et que le couvercle de l'élément chauffant est bien fixé. Consultez les instructions de *Remontage* figurant après la section *Entretien de votre humidificateur*.
4. Placez l'humidificateur sur une surface ferme, plane et étanche et au moins 12 pouces (30 cm) de tout mur. La vapeur ne doit pas être orientée vers les murs, le lit ou les meubles.

⚠ MISE EN GARDE : GARDER HORS DE LA PORTÉE DES ENFANTS. CET APPAREIL PRODUIT UNE VAPEUR CHAUDE ET DOIT ÊTRE PLACÉ À UN ENDROIT QUI N'EST PAS ACCESSIBLE AUX ENFANTS ET AUX ANIMAUX DE COMPAGNIE; LE CORDON D'ALIMENTATION DOIT ÊTRE HORS D'ATTEINTE.

REPLISSAGE

REMARQUE : UTILISEZ VOS DEUX MAINS POUR TRANSPORTER LE RÉSERVOIR D'EAU : UNE MAIN SUR LA POIGNÉE DU RÉSERVOIR ET L'AUTRE QUI TIENT LE FOND DU RÉSERVOIR.

Le fabricant n'acceptera pas la responsabilité des dommages à la propriété causés par un déversement d'eau.



1. Enlevez le réservoir d'eau en saisissant la poignée et en soulevant. Enlevez le bouchon du réservoir en le tournant dans le sens contraire des aiguilles d'une montre. (vers la gauche)
2. Remplissez le réservoir d'eau fraîche. Ne le remplissez **PAS** d'eau tiède ou d'eau chaude. N'ajoutez **PAS D'HUILES ESSENTIELLES, DE MÉDICAMENTS OU DE LIQUIDES POUR INHALATION** au réservoir d'eau. Vous pourriez endommager l'humidificateur et annuler la garantie.
3. Remplacez le bouchon du réservoir en le tournant dans le sens des aiguilles d'une montre (vers la droite) pour le visser en place. Ne le serrez **PAS** trop. Remplacez le réservoir sur la base de l'appareil.

RÉINITIALISATION DE VOTRE HUMIDIFICATEUR

Quand il n'y a plus d'eau dans l'appareil, le voyant de réinitialisation (💧) s'allume. Pour réinitialiser l'appareil :

1. Mettez le bouton de mise en marche à la position OFF (⊖)
2. Remplissez le réservoir d'eau et remettez-le en place.
3. Attendez 5 minutes et tournez le bouton de mise en marche à la position ON (💧)

REMARQUE : Si le voyant de réinitialisation (💧) est toujours allumé, nettoyez l'élément chauffant. (consultez la section *Entretien de votre humidificateur*)



UTILISATION DE VOTRE HUMIDIFICATEUR

1. **Mise en marche :** Mettez le bouton de mise en marche à la position OFF (⊖), puis branchez l'humidificateur rempli dans une prise polarisée de 120 V.
⚠ MISE EN GARDE : Pour éviter les chocs électriques, ne branchez **PAS** l'humidificateur si vous avez les mains mouillées.
2. **Sortie :** Tournez le bouton de mise en marche à Élevé (💧) ou Bas (💧). Une lumière verte indiquera que l'humidificateur fonctionne, mais il faut compter 3-4 minutes avant que de la vapeur visible apparaisse.
3. **Taux d'humidité :** Lorsqu'un taux d'humidité confortable est atteint, tournez le bouton au réglage Bas. Un taux d'humidité confortable se situe entre 40 et 60 %.
Envisagez d'utiliser un hygromètre comme le Honeywell HHM10 /H10C pour afficher le taux d'humidité et la température actuels de la pièce. Si de la condensation se forme sur les murs, les fenêtres ou autour de l'appareil, éteignez l'humidificateur; le taux d'humidité est trop élevé.



⚠ MISE EN GARDE : ÉTEIGNEZ L'HUMIDIFICATEUR, DÉBRANCHEZ-LE ET ATTENDEZ 20 À 30 MINUTES POUR QUE L'APPAREIL REFROIDISSE AVANT DE LE DÉPLACER OU DE LE NETTOYER. NE FAITES PAS FONCTIONNER VOTRE HUMIDIFICATEUR SANS QUE LE RÉSERVOIR SOIT EN PLACE OU SI L'APPAREIL EST VIDE. NE FAITES PAS FONCTIONNER VOTRE HUMIDIFICATEUR SANS QUE LA CHEMINÉE POUR LA VAPEUR, LA CUVETTE D'EAU, LE COUVERCLE DE L'ÉLÉMENT CHAUFFANT ET LE GODET À HUILES ESSENTIELLES SOIENT BIEN ASSEMBLÉS.

REMARQUE : Envisagez d'utiliser une balle de nettoyage d'humidificateur Protec^{MD} pour garder votre appareil propre plus longtemps.

La balle de nettoyage Protec nettoie continuellement et protège contre les bactéries et la moisissure. Elle aide aussi à empêcher l'accumulation de dépôts visqueux dans l'eau et sur les surfaces de l'humidificateur. La balle de nettoyage Protec gardera votre humidificateur propre plus longtemps entre les nettoyages. Toutefois, votre humidificateur a quand même besoin d'être nettoyé régulièrement.



UTILISATION DU GODET À HUILES ESSENTIELLES

Cet humidificateur comporte un godet à huiles essentielles qui peut être utilisé avec votre huile essentielle favorite ou un liquide pour inhalation pour un bien-être accru. Ce n'est pas un diffuseur – l'huile n'entre pas en contact avec l'eau et s'évapore passivement dans l'air. Les huiles essentielles et les produits pour inhalation sont vendus séparément.

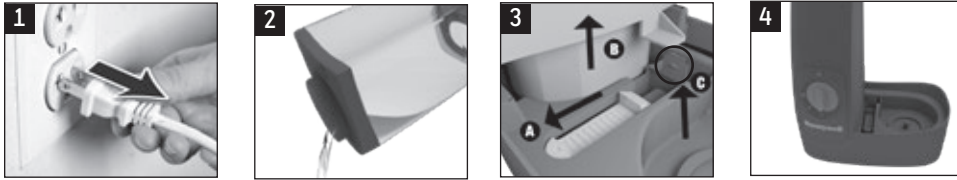


1. Déposez quelques gouttes d'huiles essentielles ou de liquides pour inhalation dans le godet.
⚠ MISE EN GARDE : Ne versez **PAS** de liquides dans la cheminée pour la vapeur. **N'AJOUTEZ PAS DE LIQUIDES POUR INHALATION, D'HUILES ESSENTIELLES NI D'ADDITIFS À L'EAU. CELA RISQUE D'ENDOMMAGER L'HUMIDIFICATEUR ET D'ANNULER LA GARANTIE.**
2. Pour nettoyer le godet à huiles essentielles, assurez-vous que l'humidificateur est éteint. Débranchez-le et laissez-le refroidir au moins 20 minutes, puis nettoyez délicatement l'intérieur du godet pour enlever tout résidu de produit.

ENTRETIEN DE VOTRE HUMIDIFICATEUR

Pour que votre humidificateur fonctionne de manière efficace, nettoyez-le régulièrement. Il est recommandé de le nettoyer chaque semaine. Effectuez tout entretien dans la cuisine ou la salle de bain sur une surface étanche près du robinet. Pour bien nettoyer votre humidificateur, nous vous recommandons d'effectuer les processus distincts de détartrage et de désinfection. **Ces deux processus doivent être effectués séparément.**

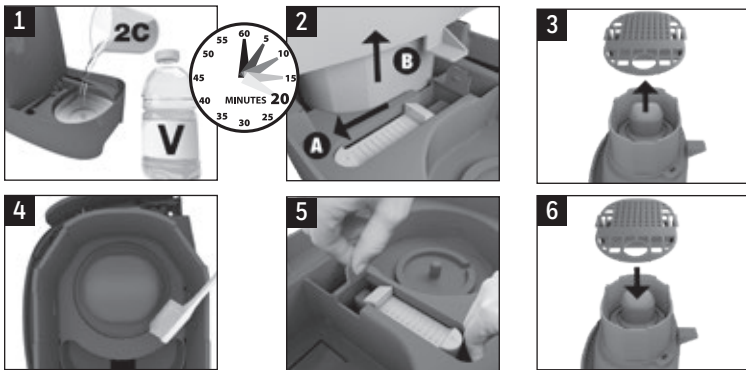
Avant de nettoyer votre humidificateur :



1. Éteignez et débranchez l'humidificateur. Ne nettoyez **JAMAIS** l'humidificateur pendant qu'il fonctionne. **Si l'humidificateur a été utilisé récemment, attendez au moins 20 à 30 minutes pour que l'appareil refroidisse avant de commencer à le nettoyer.**
2. Retirez tous les accessoires et videz les huiles essentielles contenues dans le godet. Retirez le réservoir d'eau et videz-le, puis mettez-le de côté.
3. Tirez le loquet de verrouillage rouge vers le devant de l'appareil (a) et soulevez la cheminée pour la vapeur vers le haut (b) pour l'enlever. Enlevez la cuvette d'eau de la base en la soulevant de la languette (c) et de l'ouverture devant le loquet, puis videz la cuvette d'eau.
4. Replacer le réservoir d'eau et la cheminée de vapeur. Ils doivent être en place pour effectuer l'entretien. Consultez les instructions de *Remontage* figurant après la section *Entretien de votre humidificateur*.

Détartrage :

En gardant l'élément chauffant exempt de tartre, vous aiderez l'humidificateur à fonctionner efficacement.



1. Enlevez le réservoir d'eau et versez lentement 2 tasses (0,5 litre) de vinaigre blanc distillé, non dilué dans la cavité de la cuvette d'eau. Ne versez **PAS** le vinaigre sur le loquet de verrouillage rouge. Ne versez le vinaigre que dans le grand réservoir. **Remarque : VERSEZ LENTEMENT LE VINAIGRE POUR LUI LAISSER SUFFISAMMENT DE TEMPS POUR S'ÉCOULER DE LA CAVITÉ DANS LA CHAMBRE D'ÉBULLITION.** Le vinaigre commencera lentement à remplir la chambre d'ébullition, située sous la cheminée pour la vapeur. Laissez tremper le vinaigre pendant 20 minutes pour détacher le tartre sur l'élément chauffant.
Détartrage du réservoir : Pendant que vous faites tremper l'élément chauffant, rajoutez du vinaigre dans le réservoir d'eau, remettez le bouchon en place et agitez le réservoir afin que tout l'intérieur soit mouillé. Utilisez un linge imbibé de vinaigre pour enlever le tartre à l'intérieur du réservoir et du bouchon. Videz le vinaigre du réservoir et rincez le réservoir jusqu'à ce que l'odeur de vinaigre ait disparu.

ENTRETIEN DE VOTRE HUMIDIFICATEUR (suite)

2. Enlevez la cheminée pour la vapeur en faisant glisser doucement le loquet de verrouillage rouge vers le devant de l'appareil (a) et en soulevant la cheminée vers le haut (b).
3. Enlevez le couvercle de l'élément chauffant en le soulevant de la grande ouverture ronde et en le retirant de la cheminée.
4. Mouillez les poils d'une brosse douce avec du vinaigre de la cuvette d'eau et frottez doucement la surface de l'élément chauffant, du couvercle de l'élément chauffant, de la cavité et de la chambre d'ébullition pour enlever les dépôts de minéraux.

N'UTILISEZ PAS DE BROSSES DURES, DE LAINES D'ACIER OU D'AUTRES ABRASIFS SUR L'ÉLÉMENT CHAUFFANT. VOUS RISQUERIEZ D'ENDOMMAGER L'ÉLÉMENT CHAUFFANT. NE VERSEZ PAS LE VINAIGRE DIRECTEMENT SUR L'ÉLÉMENT CHAUFFANT.

Si le tartre est encore visible sur l'élément chauffant, mouillez un essuie-tout avec du vinaigre et enroulez-le autour de l'élément chauffant. Laissez-le reposer pendant 30 minutes ou jusqu'à ce que le tartre se détache.

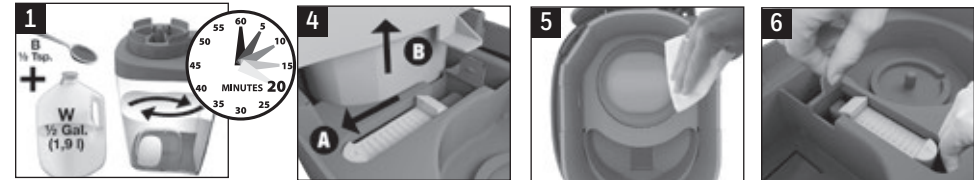
IMPORTANT : Enlevez l'essuie-tout de l'élément chauffant avant de passer à l'étape suivante.

5. Enlevez la cuvette d'eau en la soulevant doucement de la languette et de l'ouverture devant le loquet, et videz le vinaigre dans l'évier. Rincez la cuvette d'eau et le couvercle de l'élément chauffant sous l'eau courante jusqu'à ce que l'odeur de vinaigre ait disparu.
6. À l'aide d'un linge mouillé, essuyez l'élément chauffant pour enlever l'excédent de tartre. Enclenchez le couvercle de l'élément chauffant au fond de la cheminée. Le couvercle ne s'enclenche que d'une seule façon.

⚠ MISE EN GARDE : NE RINCEZ PAS L'ÉLÉMENT CHAUFFANT ET LA CHEMINÉE POUR LA VAPEUR DANS L'ÉVIER OU SOUS L'EAU COURANTE PUISQUE L'EAU POURRAIT PÉNÉTRER DANS LES PARTIES INTERNES. VOUS POURRIEZ ENDOMMAGER L'HUMIDIFICATEUR ET ANNULER LA GARANTIE. N'UTILISEZ QU'UN LINGE MOUILLÉ OU UN ESSUIE-TOUT POUR NETTOYER CES PIÈCES.

Désinfection :

Avant de commencer le processus de désinfection, suivez les étapes 1 à 4 dans la section *Avant l'entretien*.



REMARQUE : Le javellisant pouvant tacher les vêtements, nous vous recommandons de porter des gants de caoutchouc durant ce processus pour vous protéger les mains.

1. Mélangez ½ gallon (1,9 L) d'eau à ½ cuillère à thé de javellisant. Versez la solution javellisante dans le réservoir d'eau. Remettez le bouchon du réservoir et secouez doucement le réservoir pour répandre la solution partout à l'intérieur. **REMARQUE :** Si vous utilisez plus que ½ cuillère à thé de javellisant dans ½ gallon (1,9 L) d'eau, vous risquez d'endommager l'humidificateur.
2. Placez le réservoir d'eau sur la base. La solution javellisante s'écoulera dans la cuvette d'eau. Laissez tremper pendant 20 minutes.
3. Enlevez le réservoir et videz doucement la solution javellisante dans l'évier. Rincez le réservoir avec de l'eau jusqu'à ce que l'odeur de javellisant ait disparu.
4. Enlevez la cheminée pour la vapeur en faisant glisser le loquet de verrouillage vers le devant de l'appareil (a) et en soulevant la cheminée vers le haut (b).
5. Enlevez le couvercle de l'élément chauffant en le soulevant de la large ouverture ronde et en le tirant de la cheminée, et rincez-le sous l'eau courante. Essuyez l'élément chauffant avec un essuie-tout humide jusqu'à ce que l'odeur de javellisant ait disparu.

ENTRETIEN DE VOTRE HUMIDIFICATEUR (suite)

- Enlevez délicatement la cuvette d'eau en la soulevant de la languette et de l'ouverture devant le loquet, et videz la solution javellisante dans l'évier. Rincez la cuvette d'eau et le couvercle de l'élément chauffant avec de l'eau jusqu'à ce que l'odeur de javellisant ait disparu. Essayez la cuvette d'eau pour la sécher.

Lave-vaisselle :

Les pièces suivantes sont résistantes au lave-vaisselle et vont dans le PANIER SUPÉRIEUR des lave-vaisselle ménagers dont les températures ne dépassent pas 70°C/158°F : **godet à huiles essentielles, cuvette d'eau et couvercle de l'élément chauffant.**



Faites fonctionner le lave-vaisselle au cycle délicat ou normal. Ne lavez **PAS** ces pièces avec des articles ou de la vaisselle souillés.

N'utilisez **PAS** de détergents.

REMARQUE : Ne mettez **PAS** les pièces dans le panier inférieur du lave-vaisselle, sous peine d'abîmer non seulement les pièces de l'humidificateur, mais aussi le lave-vaisselle. Le réservoir d'eau, la cheminée pour la vapeur et la base ne résistent **PAS** au lave-vaisselle. Les passer au lave-vaisselle endommagera votre humidificateur et l'empêchera de fonctionner convenablement.

Remontage

- Remplacez la cuvette d'eau sur la base.
- Remettez le couvercle de l'élément chauffant en place en l'enclenchant au fond de la cheminée pour la vapeur.
- Faites glisser le loquet de verrouillage rouge vers le devant de l'appareil (a) et fixez la cheminée pour la vapeur sur la base (b). Assurez-vous que la cheminée pour la vapeur est bien positionnée sur la base et que le loquet de verrouillage est en position fermée.
- Pressez le godet à huiles essentielles pour le remettre en place.
- Remettez le bouchon sur le réservoir et remplacez le réservoir sur la base de l'appareil.



ENTRETIEN DE FIN DE SAISON ET RANGEMENT

Suivez les instructions d'entretien lorsque vous prévoyez ne pas utiliser l'humidificateur pendant au moins une semaine, ou à la fin de la saison. À la fin de la saison, enlevez les accessoires de l'humidificateur.

Laissez sécher l'humidificateur complètement avant de le ranger. Ne le rangez **PAS** avec de l'eau à l'intérieur de la cuvette d'eau ou du réservoir d'eau. Rangez l'appareil dans sa boîte originale dans un endroit frais et sec.

DÉPANNAGE

Si l'humidificateur ne fonctionne pas convenablement, voyez les suggestions ci-dessous.

PROBLÈME	CAUSE POSSIBLE	SOLUTION
Le bouton de mise en marche est réglé à « ON » et le voyant du bouton de mise en marche est éteint	<ul style="list-style-type: none"> Appareil non branché Prise de courant non alimentée 	<ul style="list-style-type: none"> Brancher l'appareil Vérifier circuits et fusibles, essayer la prise de courant
L'appareil est en marche (« On ») et aucune vapeur n'apparaît	<ul style="list-style-type: none"> L'eau n'a pas chauffé jusqu'au point d'ébullition pour produire de la vapeur 	<ul style="list-style-type: none"> Attendre 3-4 minutes après avoir mis l'appareil en marche
Il se produit peu ou pas de vapeur	<ul style="list-style-type: none"> Réservoir vide Appareil instable Des dépôts de minéraux sur l'élément chauffant ou la cuvette d'eau 	<ul style="list-style-type: none"> Remplir le réservoir d'eau Mettre l'appareil daplomb Suivre les instructions d'entretien
Le voyant de réinitialisation est allumé	<ul style="list-style-type: none"> Réservoir vide Appareil n'ayant pas été réinitialisé après son remplissage L'élément chauffant est couvert de tartre 	<ul style="list-style-type: none"> Remplir le réservoir d'eau Suivre les instructions de réinitialisation Voir les instructions d'entretien
De l'eau déborde de la cavité	<ul style="list-style-type: none"> Le réservoir peut être endommagé Bouchon pas assez serré La cuvette d'eau n'est pas bien placée 	<ul style="list-style-type: none"> Examiner le réservoir et le remplacer s'il fuit Serrer le bouchon Vérifier la cuvette d'eau et la fixer sur la base
De la condensation se forme autour de l'humidificateur ou sur les fenêtres	<ul style="list-style-type: none"> Débit trop élevé soit pour la grandeur de la pièce, soit pour le taux d'humidité préexistant de l'air ambiant 	<p>Réduire le débit au niveau bas ou ouvrir la porte de la pièce</p>

REMARQUE : les minéraux en suspension dans l'eau forment une incrustation qui nuit au bon fonctionnement de l'appareil. Il incombe au client de respecter les instructions fournies et d'entretenir l'appareil tel que préconisé, sous peine d'annulation de la garantie.

SERVICE À LA CLIENTÈLE

Nous sommes là pour vous. Téléphonnez-nous sans frais au : 1 800 477-0457

Courriel : consumerrelations@kaz.com

Ou visitez notre site Web au : www.HoneywellPluggedIn.com

N'oubliez pas d'indiquer le numéro de modèle HWM845.

REMARQUE : SI VOUS AVEZ UN PROBLÈME, VEUILLEZ COMMUNIQUER AVEC NOTRE SERVICE À LA CLIENTÈLE OU RELIRE LA GARANTIE. NE RETOURNEZ PAS LE PRODUIT AU MAGASIN OÙ VOUS L'AVEZ ACHÉTÉ INITIALEMENT. N'ESSAYEZ PAS D'OUVRIER LE BOÎTIER DU MOTEUR, CAR CE FAISANT VOUS RISQUEZ D'ANNULER LA GARANTIE, D'ENDOMMAGER L'APPAREIL OU DE VOUS BLESSER.

SPÉCIFICATIONS

Alimentation électrique : 120V, 60 Hz.

Capacité : 1 gallon (3,7 L)

Si vous avez un problème, veuillez communiquer avec notre service à la clientèle. Ne retournez pas l'humidificateur au magasin où vous l'avez acheté initialement.

N'essayez pas d'ouvrir le boîtier du moteur ou d'altérer le bouton de mise en marche; vous risquez d'annuler la garantie, d'endommager l'appareil ou de vous blesser.

GARANTIE LIMITÉE DE 3 ANS

Vous devriez d'abord lire les instructions au complet avant de tenter d'utiliser le produit.

- A.** Cette garantie limitée de 3 ans s'applique à la réparation ou au remplacement d'un produit qui s'avère défectueux en raison d'un vice de matériau ou de main-d'œuvre. Cette garantie ne couvre pas les dommages résultant d'une utilisation commerciale, abusive ou excessive, ni les dommages associés. Les dommages qui résultent de l'usure normale ne sont pas considérés comme des défauts en vertu de cette garantie. **KAZ DÉCLINE TOUTE RESPONSABILITÉ EN CAS DE DOMMAGES ACCESSOIRES OU INDIRECTS DE QUELQUE NATURE QUE CE SOIT. TOUTE GARANTIE IMPLICITE DE COMMERCIALITÉ OU DE PERTINENCE À DES FINS PARTICULIÈRES SUR CE PRODUIT EST LIMITÉE À LA DURÉE DE CETTE GARANTIE.** Certains États n'autorisent pas l'exclusion ou la limitation des dommages accessoires ou indirects, ou la limitation de la durée d'une garantie implicite, de sorte que les limites ou exclusions ci-dessus peuvent ne pas s'appliquer à vous. Cette garantie vous accorde des droits légaux particuliers, et vous pouvez avoir en plus d'autres droits qui varient selon les États. Cette garantie ne s'applique qu'à l'acheteur initial de ce produit, à partir de la date d'achat.
- B.** Kaz peut, à son gré, réparer ou remplacer ce produit s'il s'avère défectueux en raison d'un vice de matériau ou de main-d'œuvre.
- C.** Cette garantie ne couvre pas les dommages résultant d'une tentative non autorisée de réparer cet appareil, ni d'une utilisation non conforme à ce manuel d'instructions.
- D.** Cette garantie ne couvre pas les filtres, préfiltres, ampoules UV et autres accessoires (si compris) excepté pour les défauts de matériau ou de main-d'œuvre.

Honeywell

Manual de Instrucciones

HUMIDIFICADOR DE VAPOR TIBIO

HWM845 series

CONOZCA SU HUMIDIFICADOR Vapor Tibio Visible

- Con la humidificación de vapor tibio, el agua se hierve en una cámara de calentamiento y luego se libera en el aire como vapor tibio.
- Debido a que el agua es hervida, se produce vapor 99.5% libre de bacteria.¹
- Tenga cuidado de no humedecer demasiado; si se forma condensación alrededor de la unidad o en paredes y superficies, apague el humidificador o ajuste a un nivel más bajo.



Nivel de Humedad

- El nivel ideal de humedad interior es de 40-60%.
- Use un monitor de humedad de Honeywell (HHM10 o H10C) para revisar su nivel de humedad interior (no incluido).

Para preguntas y mayor información acerca de este humidificador Visite www.HoneywellPluggedIn.com o Llame al 800-477-0457

⚠️ INSTRUCCIONES IMPORTANTES DE SEGURIDAD

LEA Y GUARDE ESTAS INSTRUCCIONES DE SEGURIDAD ANTES DE USAR ESTE HUMIDIFICADOR

Siempre se deben tomar precauciones básicas cuando se utilicen artefactos eléctricos para reducir el riesgo de incendio, descarga eléctrica y lesiones a personas, incluyendo lo siguiente:

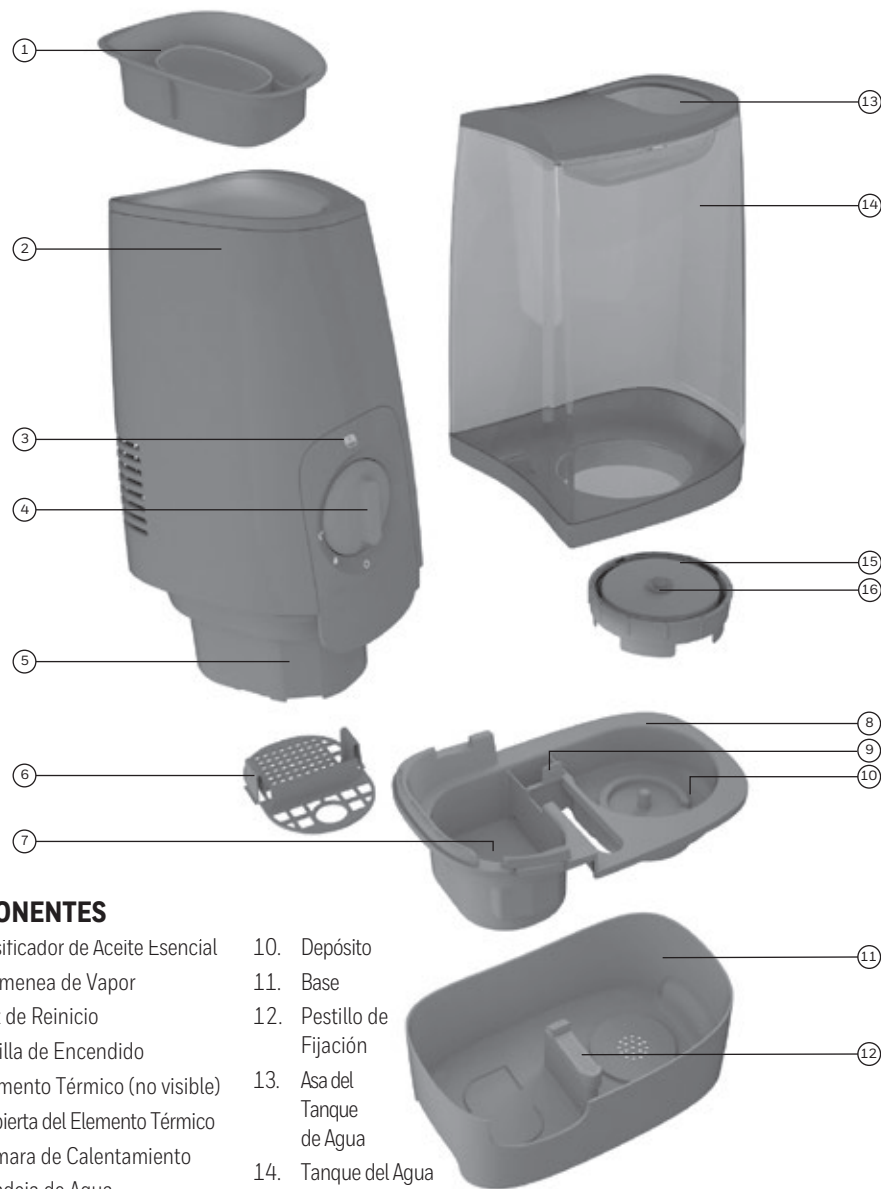
- SIEMPRE** coloque el humidificador sobre una superficie firme, plana y resistente al agua por lo menos a 1.2m (4 pies) de las camas, a 30 cm (12 pulg.) de la pared y fuera del alcance de los niños y mascotas.
- Asegúrese de que el humidificador esté en una posición estable y el cable lejos de superficies calientes y fuera del paso para evitar que derriben el humidificador.
- El humidificador no debe dejarse desatendido, especialmente en una habitación cerrada ya que el aire podría saturarse y dejar condensación en las paredes y los muebles. Si la habitación se satura, abra la puerta y apague el humidificador.
- Antes de usar el humidificador, extienda el cable e inspeccione si hay señales de daño. **NO** use la unidad si el cable está dañado. **NO** opere con el cable enrollado o con la atadura de alambre en su lugar.
- El humidificador cuenta con un enchufe polarizado (una clavija es más ancha que la otra) como una característica de seguridad. Este enchufe entrará en un tomacorriente polarizado de una sola manera. Si el enchufe no encaja completamente en el tomacorriente, gírelo. Si aún no encaja, contacte a un electricista calificado. **NO** intente anular esta característica de seguridad.
- ⚠️ **PRECAUCIÓN:** Para evitar riesgos de incendio o descarga eléctrica, enchufe el humidificador directamente en un tomacorriente de 120 V~ de CA. Para evitar riesgos de descarga o lesiones personales **NO** use un cable de extensión o contacto múltiple.
- El humidificador **SIEMPRE** debe estar desconectado y vacío cuando no esté en uso o mientras lo esté limpiando. Apague y desconecte el humidificador antes de moverlo. **NO** mueva ni incline el humidificador mientras está funcionando. Conecte y desconecte la unidad con las manos secas. **NUNCA** tire del cable.
- NO** opere el humidificador sin agua. Apague y desconecte la unidad cuando el tanque esté vacío y la luz de reinicio esté encendida. El humidificador requiere limpieza regular. Consulte y siga las instrucciones de limpieza.
- NO** opere en exteriores; este humidificador está diseñado sólo para uso residencial en interiores.
- NO** cubra ni inserte objetos en ninguna de las aberturas de la unidad. **NO** obstruya las ventilaciones de entrada o salida.
- NO** intente reparar ni ajustar ninguna de las funciones eléctricas o mecánicas de este humidificador. Si lo hace, anulará la garantía.
- NO** añada aceites esenciales ni medicamentos (p. ej. Inhalante de Kaz o VapoSteam® de Vicks) en la Chimenea, Depósito, o Tanque de Agua.
- NO** toque el vapor. El vapor puede causar quemaduras. **NO** opere sin el Dosificador de Aceite Esencial en su lugar en la parte superior de la Chimenea de Vapor.
- Est réserv   à l'utilisation r  sidentielle.
- S  lo para Uso Residencial.

CONSERVEZ CES INSTRUCCIONS

CONOZCA SU HUMIDIFICADOR DE VAPOR TIBIO

C  mo Funciona

El tanque alimenta agua en la c  mara de ebullici  n donde se calienta hasta convertirse en vapor. El vapor se mezcla con el aire seco en la chimenea de vapor y se libera en la habitaci  n aire h  medo tibio. Cuando el humidificador se queda sin agua, la luz de reinicio se encender   y la unidad se apagar  .



COMPONENTES

- | | |
|------------------------------------|----------------------------|
| 1. Dosificador de Aceite Esencial | 10. Dep  sito |
| 2. Chimenea de Vapor | 11. Base |
| 3. Luz de Reinicio | 12. Pestillo de Fijaci  n |
| 4. Perilla de Encendido | 13. Asa del Tanque de Agua |
| 5. Elemento T  rmico (no visible) | 14. Tanque del Agua |
| 6. Cubierta del Elemento T  rmico | 15. Tapa del Tanque |
| 7. C  mara de Calentamiento | 16.   bolo |
| 8. Bandeja de Agua | |
| 9. Leng  eta de la Bandeja de Agua | |

¹ Basado en la Prueba de Laboratorio Independiente Reporte 103340980COL-001 de Intertek Testing Services NA, Inc. Los resultados se basan en la reducci  n de los siguientes organismos despu  s de 1 hora de uso continuo:
Bacteria: E. coli hasta 99.999% despu  s de 1 hora de uso continuo.
Hongos: P. citrinum hasta 99.999% despu  s de 1 hora de uso continuo.
Moho: A. niger hasta 99.999% despu  s de 1 hora de uso continuo.
Virus: Phi-X174 hasta 99.999% despu  s de 1 hora de uso continuo.

INSTALAR SU HUMIDIFICADOR

1. Retire los materiales de embalaje. Conserve este Manual de Instrucciones para referencia.
2. Retire la atadura de alambre del cable y extiéndalo completamente.
3. Asegure un Ensamblaje Correcto. Asegúrese que la Chimenea de Vapor, el Dosificador de Aceite Esencial, y la Bandeja de Agua estén firmemente en su lugar y que la Cubierta del Elemento Térmico esté asegurada. Consulte como referencia las instrucciones de *Reensamblaje* después de la sección *Limpiar su Humidificador*.



4. Coloque el humidificador sobre una superficie firme, nivelada y resistente al agua, por lo menos a 30 cm (12 pulg.) de las paredes. El vapor debe ser dirigido lejos de cualquier pared, ropa de cama o muebles.

⚠ ADVERTENCIA: MANTÉNGASE FUERA DEL ALCANCE DE LOS NIÑOS. ESTE PRODUCTO PRODUCE VAPOR CALIENTE Y DEBE COLOCARSE EN UN ÁREA NO ACCESIBLE A LOS NIÑOS O MASCOTAS, CON EL CABLE DE CORRIENTE FUERA DEL ALCANCE.

LLENAR / RELLENAR

NOTA: El Tanque debe llevarse utilizando las dos manos; una mano en el Asa del Tanque y la otra sosteniendo la parte inferior del Tanque.

El fabricante no acepta responsabilidad por daños a la propiedad causados por derrames de agua.



1. Retire el Tanque sujetando el Asa y tirando hacia arriba. Retire la Tapa del Tanque de Agua girándola en contra de las manecillas del reloj (hacia la izquierda).
2. Llene el Tanque de Agua con agua fría. **NO llene con agua tibia o caliente. NO AÑADA ACEITES ESENCIALES, MEDICAMENTOS, O LÍQUIDOS INHALANTES** al Tanque de Agua. Si lo hace, podría dañar el humidificador y anular la garantía.
3. Vuelva a colocar la Tapa del Tanque girándola a favor de las manecillas del reloj (hacia la derecha) para cerrar. **NO apriete de más.** Vuelva a colocar el Tanque de Agua de vuelta en la Base del humidificador.

REINICIAR SU HUMIDIFICADOR

Cuando su humidificador se quede sin agua, la Luz de Reinicio (🔴) se iluminará. Para reiniciar:

1. APAGUE (🔴) el humidificador.
2. Rellene y vuelva a colocar el Tanque.
3. Espere 5 minutos y ENCIÉNDALO (🟢).

NOTA: Si la Luz de Reinicio (🔴) todavía está encendida, limpie el Elemento Térmico. (vea la sección *Instrucciones de Limpieza*)



USAR SU HUMIDIFICADOR

1. **Encendido:** Con la Perilla de Encendido en la posición de APAGADO (🔴), conecte el humidificador lleno en un tomacorriente polarizado de 120V~.

⚠ PRECAUCIÓN: Para evitar descarga eléctrica, NO conecte el humidificador con las manos mojadas.

2. **Salida:** Coloque la Perilla de Encendido en alto (🟢) o bajo (🔴). Una luz verde indicará que el humidificador está funcionando, pero tardará 3-4 minutos para que aparezca el vapor visible.

3. **Nivel de Humedad:** Una vez alcanzado un nivel de humedad confortable, cambie al ajuste bajo. Un nivel de humedad confortable es entre 40-60%. Considere utilizar un monitor de humedad como el HHM10 /H10C de Honeywell para mostrar la humedad y la temperatura actuales de la habitación. Si se forma condensación en las paredes, ventanas o alrededor de la unidad, apague el humidificador; el nivel de humedad es demasiado alto.



⚠ PRECAUCIÓN: ANTES DE MOVER O LIMPIAR SU HUMIDIFICADOR, APÁGUELO, DESCONÉCTELO Y ESPERE 20-30 MINUTOS PARA QUE LA UNIDAD SE ENFRÍE. NO OPERE SU HUMIDIFICADOR SIN EL TANQUE EN SU LUGAR O SI LA UNIDAD ESTÁ VACÍA. NO OPERE SU HUMIDIFICADOR SIN LA CHIMENEA DE VAPOR, LA BANDEJA DE AGUA, LA CUBIERTA DEL ELEMENTO TÉRMICO Y EL DOSIFICADOR DE ACEITE ESENCIAL CORRECTAMENTE ENSAMBLADOS.

NOTA: Considere utilizar la Bola de Limpieza Protec® para mantener su humidificador más limpio, por más tiempo.

Limpiará y protegerá continuamente contra bacterias y moho. También ayudará a prevenir la acumulación de mucilago en el agua y en las superficies del humidificador. La Bola Protec mantendrá su humidificador más limpio, por más tiempo entre limpiezas. Sin embargo, su humidificador aún necesita ser limpiado regularmente



USAR EL DOSIFICADOR DE ACEITE ESENCIAL

Este humidificador cuenta con un Dosificador de Aceite Esencial que se puede utilizar con su aceite esencial o inhalante líquido favoritos para disfrutar adicionalmente. Este no es un difusor - el aceite no entra en contacto con el agua y se evapora pasivamente en el aire. El aceite esencial y el inhalante se venden por separado.

1. Añada unas gotas de aceite esencial o líquido inhalante en el Dosificador.



⚠ ADVERTENCIA: NO vierta líquidos en la Chimenea de Vapor. NO AÑADA LÍQUIDOS INHALANTES, ACEITES ESENCIALES NI ADITIVOS EN EL AGUA. SI LO HACE, PUEDE TENER EFECTOS ADVERSOS EN EL HUMIDIFICADOR Y ANULAR LA GARANTÍA.

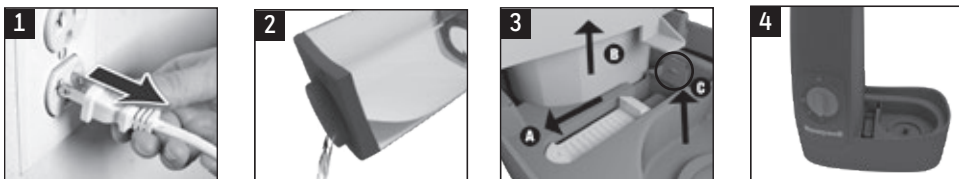
2. Para limpiar el Dosificador de Aceite Esencial, asegúrese de que el humidificador esté apagado, desconectado y enfriado durante al menos 20 minutos y limpie suavemente los residuos del Dosificador de Aceite Esencial.

LIMPIAR SU HUMIDIFICADOR

Para mantener su humidificador funcionando de manera eficiente, limpie regularmente. Se recomienda limpieza semanal. Todo el mantenimiento debe realizarse en la cocina o el baño sobre una superficie resistente al agua y cerca de un grifo. Para limpiar adecuadamente su humidificador, le recomendamos el proceso separado de Eliminación de Sarro y Desinfección.

Estos dos procesos deben realizarse por separado.

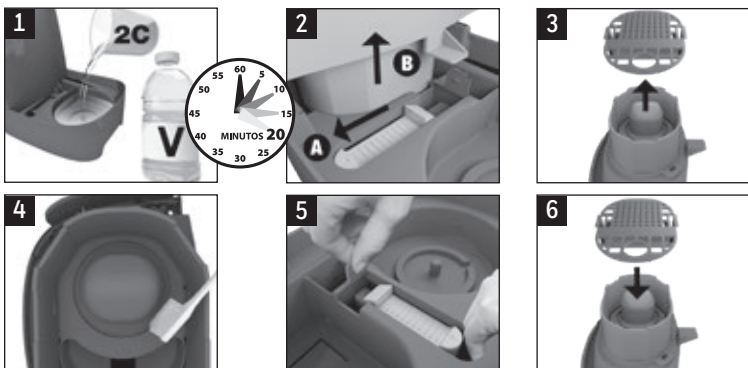
Antes de Limpiar



1. Apague y desconecte el humidificador. **NUNCA** limpie el humidificador mientras esté funcionando. **Si el humidificador ha estado en uso recientemente, espere al menos 20-30 minutos para que la unidad se enfríe antes de iniciar el proceso de limpieza.**
2. Retire los accesorios, y vacíe los aceites del Dosificador de Aceite Esencial. Luego retire y vacíe el Tanque de Agua y póngalo a un lado.
3. Jale el Pestillo de Fijación rojo hacia el frente de la unidad (a) y levante la Chimenea de Vapor (b) para quitarla. Retire la Bandeja de Agua de la Base tirando desde arriba la Lengüeta (c) y la abertura en la parte frontal del Émbolo, luego vacíe la Bandeja del Agua.
4. Vuelva a colocar la Bandeja del Agua y la Chimenea de Vapor. Estas deben estar en su lugar para la limpieza. Ver *Instrucciones de Reensamblaje* después de la sección *Limpiar su Humidificador*.

Eliminación de Sarro

Mantener el Elemento Térmico libre de sarro ayudará al humidificador a funcionar eficientemente.



1. Retire el Tanque de Agua y vierta lentamente 2 tazas (0,5 litros) de vinagre blanco destilado sin diluir en el Deposito de la Bandeja del Agua. **NO** vierta vinagre sobre el Pestillo de Fijación rojo. Sólo vierta en el Depósito profundo.

LIMPIAR SU HUMIDIFICADOR (continuación)

NOTA: Vierta lentamente para dar tiempo suficiente para que el vinagre fluya desde el Depósito hasta la Cámara de Calentamiento. El vinagre comenzará lentamente a llenar la Cámara de Calentamiento, ubicada debajo de la Chimenea de Vapor. Deje remojar durante 20 minutos para aflojar el sarro en el Elemento Térmico.

Para eliminar el sarro del Tanque:

Mientras el Elemento Térmico está en remojo, vierta vinagre adicional en el Tanque de Agua, vuelva a colocar la Tapa del Tanque y agite para cubrir el interior del Tanque de Agua. Use un paño humedecido con vinagre para limpiar el sarro en el interior del Tanque de Agua y la Tapa del Tanque. Vacíe el vinagre y enjuague el Tanque hasta que desaparezca el olor a vinagre.

2. Retire la Chimenea de Vapor deslizando suavemente el Pestillo de Fijación rojo hacia la parte delantera de la unidad (a) y levantando la Chimenea de Vapor hacia arriba (b).
3. Retire la Cubierta del Elemento Térmico levantándola de la abertura redonda y grande, y alejándola de la Chimenea de Vapor.
4. Moje las cerdas de un cepillo suave con vinagre del Tanque de Agua y frote suavemente la superficie del Elemento Térmico, la Cubierta del Elemento Térmico, el Depósito y la Cámara de Calentamiento para remover los depósitos minerales.

NO USE CEPILLOS DUROS, LANA DE ACERO, U OTROS ABRASIVOS DUROS EN EL ELEMENTO TÉRMICO. SI LO HACE, DAÑARÁ EL ELEMENTO TÉRMICO. NO VIERTA VINAGRE DIRECAMENTE SOBRE EL ELEMENTO TÉRMICO.

Si el sarro sigue siendo visible en el Elemento Térmico, humedezca una toalla de papel con vinagre y envuélvalo alrededor del Elemento Térmico. Deje reposar durante 30 minutos o hasta que se afloje el sarro.

IMPORTANTE: Retire la toalla de papel del Elemento Térmico antes de proceder al siguiente paso.

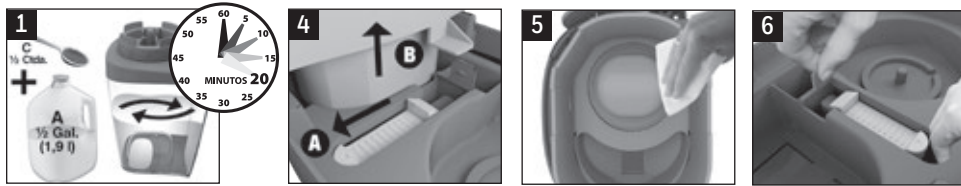
5. Retire la Bandeja del Agua levantándola suavemente de la Lengüeta en la abertura frontal del Pestillo, y vacíe el vinagre en el fregadero. Enjuague la Bandeja del Agua y la Cubierta del Elemento Térmico con agua hasta que desaparezca el olor a vinagre.
6. Con un paño suave y húmedo, limpie el Elemento Térmico para eliminar cualquier exceso de sarro. Presione la Cubierta del Elemento Térmico de nuevo en la parte inferior de la Chimenea de Vapor. Sólo encajará de una manera.

⚠ PRECAUCIÓN: NO ENJUAGUE EL ELEMENTO TÉRMICO O LA CHIMENEA DE VAPOR EN EL FREGADERO O BAJO EL AGUA CORRIENTE YA QUE EL AGUA PUEDE ENTRAR EN LAS PARTES INTERNAS. SI LO HACE, DAÑARÁ EL HUMIDIFICADOR Y ANULARÁ LA GARANTÍA. UTILICE SÓLO UN PAÑO O TOALLA DE PAPEL MOJADOS PARA LIMPIAR ESTA PARTE.

LIMPIAR SU HUMIDIFICADOR (continuación)

Desinfección

Antes de iniciar el proceso de desinfección, siga los Pasos 1-4 en la sección *Antes de Limpiar*.



NOTA: El cloro puede manchar la ropa. Se recomienda que use guantes de goma durante este proceso para proteger sus manos.

1. Mezcle ½ galón (1.9 L) de agua con ½ cucharadita de cloro. Vierta la solución de cloro en el Tanque de Agua. Vuelva a colocar la Tapa del Tanque y agite suavemente para cubrir todo el interior. **NOTA:** Usar más de ½ cucharadita de cloro en ½ galón (1.9 L) de agua puede causar daños al humidificador.
2. Coloque el Tanque de Agua en la Base. La solución de cloro se drenará hacia la Bandeja de Agua. Deje reposar durante 20 minutos.
3. Retire el Tanque y vacíe lentamente la solución de cloro en el fregadero. Enjuague con agua hasta que desaparezca el olor a cloro.
4. Retire la Chimenea de Vapor deslizando suavemente el Pestillo de Fijación rojo hacia la parte delantera de la unidad (a) y tirando hacia arriba la Chimenea (b).
5. Retire la Cubierta del Elemento Térmico levantándola de la abertura redonda y grande, y alejándola de la Chimenea, y enjuague con Agua. Con una toalla de papel suave y húmeda, limpie el Elemento Térmico hasta que desaparezca el olor a cloro.
6. Retire cuidadosamente la Bandeja del Agua levantándola de la Lengüeta y de la abertura enfrente del Pestillo, y vacíe la solución de cloro en el fregadero. Enjuague la Bandeja de Agua y el Elemento Térmico con agua hasta que desaparezca el olor a cloro. Seque la Bandeja del Agua.

LIMPIAR SU HUMIDIFICADOR (continuación)

Seguro para Lavavajillas

Las siguientes partes son seguras para la CANASTILLA SUPERIOR de un lavavajillas de uso residencial operando a temperaturas menores a los 70°C/158°F: **Dosificador de Aceite Esencial, Bandeja del Agua y Cubierta del Elemento Térmico.**

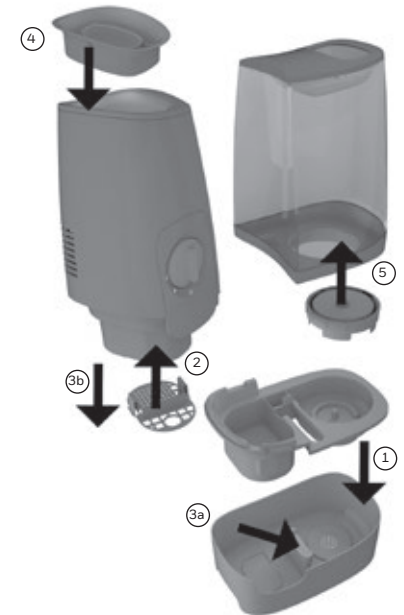


Opere el lavavajillas en el ciclo normal o de trabajo liviano. **NO** lave con platos/artículos sucios. **NO** use detergentes.

NOTA: NO coloque las partes en la canastilla inferior del lavavajillas. Si lo hace, podría causar daño a las partes del humidificador y el lavavajillas. El Tanque de Agua, la Chimenea de Vapor y la Base **NO** son aptas para el lavavajillas. Colocar estas partes en el lavavajillas dañarán el humidificador y no funcionará correctamente.

Reensamblaje

1. Vuelva a colocar la Bandeja de Agua en la Base.
2. Asegúrese de volver a colocar correctamente la Cubierta del Elemento Térmico en la parte inferior de la Chimenea de Vapor, encajándola en su lugar.
3. Deslice el Pestillo de Fijación rojo hacia la parte delantera de la unidad (a) y asegure la Chimenea de Vapor a la Base (b). Compruebe que la Chimenea de Vapor esté asegurada a la Base y que el Pestillo de Fijación esté en la posición de cerrado.
4. Presione el Dosificador de Aceite Esencial nuevamente en su lugar.
5. Vuelva a colocar la Tapa en el Tanque de Agua y colóquelo en la unidad.



CUIDADO Y ALMACENAJE AL FINAL DE TEMPORADA

Siga las instrucciones de limpieza cuando el humidificador no se utilice por lo menos en una semana, o al final de la temporada. Al final de la temporada, quite todos los accesorios del humidificador.

Antes de almacenar, seque completamente el humidificador. **NO** guarde con agua dentro de la Bandeja de Agua o del Tanque de Agua. Guarde la unidad en la caja original de cartón y almacene en un lugar fresco y seco.

SOLUCIÓN DE PROBLEMAS

Si su Humidificador no está funcionando adecuadamente, consulte lo siguiente:

PROBLEMA	POSIBLE CAUSA	SOLUCIÓN
La Perilla de Encendido está en “Encendido” y la luz de la Perilla de Encendido está apagada	<ul style="list-style-type: none"> La unidad no está conectada El tomacorriente no tiene energía 	<ul style="list-style-type: none"> Conecte la unidad Revise los circuitos, los fusibles, y el tomacorriente.
Está “Encendido” pero no aparece vapor	<ul style="list-style-type: none"> El agua no se ha calentado a hervir para producir vapor 	<ul style="list-style-type: none"> Espere 3-4 minutos después de encender
Se produce poco o nada de vapor	<ul style="list-style-type: none"> El Tanque no tiene agua La unidad no está nivelada Hay Depósitos Minerales en el Elemento Térmico o en la Bandeja de Agua. 	<ul style="list-style-type: none"> Llene el Tanque de Agua Coloque en una superficie nivelada Siga las Instrucciones de Limpieza
Luz de Reinicio iluminada	<ul style="list-style-type: none"> El Tanque de Agua está vacío La unidad no se reinició después de rellenado El Elemento Térmico está cubierto de sarro 	<ul style="list-style-type: none"> Rellene el Tanque de Agua Siga el Procedimiento de Reinicio Consulte las Instrucciones de Limpieza
Se desborda agua del Depósito	<ul style="list-style-type: none"> El Tanque puede estar dañado La Tapa del Tanque no está apretada La Bandeja del Agua no está bien colocada. 	<ul style="list-style-type: none"> Revise si el Tanque tiene fugas y reemplace si es necesario. Apriete la Tapa del Tanque Revise la Bandeja del Agua y asegure en la Base.
Se forma condensación alrededor del humidificador o en las ventanas	<ul style="list-style-type: none"> La intensidad del vapor está demasiado alta para el tamaño de la habitación o para el nivel de humedad preexistente. 	<ul style="list-style-type: none"> Disminuya la salida de vapor al ajuste bajo o abra la puerta de la habitación.

NOTA: Si no mantiene esta unidad limpia de los depósitos minerales normalmente contenidos en cualquier suministro de agua, afectará la eficiencia de operación de esta unidad. El incumplimiento del cliente en seguir estas instrucciones podría anular la garantía.

SERVICIO AL CLIENTE

Estamos aquí para ayudar. Llámenos lada gratuita al: 1-800-477-0457

Correo Electrónico: consumerrelations@kaz.com

O visite nuestro sitio web al: www.HoneywellPluggedIn.com

Por favor asegúrese de especificar el número de Modelo HWM845.

NOTA: SI EXPERIMENTA ALGÚN PROBLEMA, POR FAVOR CONTACTE PRIMERO A SERVICIO AL CLIENTE O CONSULTE SU GARANTÍA. NO DEVUELVA AL LUGAR ORIGINAL DE COMPRA. NO INTENTE ABRIR LA CARCASA DEL MOTOR USTED MISMO, HACERLO PODRÍA ANULAR SU GARANTÍA Y CAUSAR DAÑO EN EL HUMIDIFICADOR O LESIONES PERSONALES.

ESPECIFICACIONES

Clasificación eléctrica: 120V~, 60 Hz.

Capacidad: 1 galón (3,7 L)

Si tiene algún problema, por favor contacte Servicio al Cliente. No devuelva este humidificador al lugar original de compra.

No intente abrir la carcasa del motor o manipular la Perilla de Encendido usted mismo. Hacerlo podría anular su garantía y causar lesiones personales o daños al producto.

GARANTÍA LIMITADA DE 3 AÑOS

Usted debe leer todas las instrucciones antes de intentar usar este producto.

- A.** La presente garantía limitada de 3 años cubre la reparación o reemplazo del producto si este presenta un defecto de fábrica o de mano de obra. Esta garantía excluye todo daño resultante del uso comercial, abusivo o inadecuado del producto, o de daños asociados. Los defectos resultantes del desgaste normal no se consideran defectos de fábrica en virtud de la presente garantía. **KAZ NO SERÁ CONSIDERADA RESPONSABLE DE DAÑOS FORTUITOS O INDIRECTOS DE NINGÚN TIPO. TODA GARANTÍA IMPLÍCITA DE CALIDAD COMERCIAL O DE CONVENIENCIA CON UN FIN ESPECÍFICO RELACIONADA CON ESTE PRODUCTO TENDRÁ LA MISMA VIGENCIA QUE LA PRESENTE GARANTÍA.** En ciertos lugares no se permite la exclusión o limitación de daños fortuitos o indirectos, ni los límites de duración aplicables a una garantía implícita. Por consiguiente, es posible que estas limitaciones o exclusiones no se apliquen en su caso. Esta garantía le confiere ciertos derechos legales, los que varían según la jurisdicción. La presente garantía sólo es válida para el comprador inicial del producto a partir de la fecha de compra.
- B.** A su discreción, Kaz reparará o reemplazará el presente producto si se constata que presenta un defecto de fábrica o de mano de obra.
- C.** Esta garantía no cubre los daños ocasionados por tentativas de reparación no autorizadas o por todo uso que no esté en concordancia con el presente manual de instrucciones.
- D.** Esta garantía no cubre los filtros, prefiltros, bombillas UV u otros accesorios (si se incluyen) excepto por defectos de material o mano de obra.

© 2018 All Rights Reserved.

Kaz USA, Inc., a Helen of Troy Company

400 Donald Lynch Blvd., Suite 300, Marlborough, MA 01752

Honeywell is a trademark of Honeywell International Inc., used under license by Helen of Troy Limited.

Honeywell International Inc. makes no representation or warranties with respect to this product.

Protec is a registered trademark owned by Helen of Troy Limited.

Distributed in Canada by: Kaz Canada, Inc., a Helen of Troy Company

6700 Century Avenue, Suite 210, Mississauga, ON L5N 6A4

Contact us at 1-800-477-0457 or www.HoneywellPluggedIn.com

Made in China

For Responsible recycling, please visit:

RECYCLE  NATION

www.RecycleNation.com

© 2018 Tous droits réservés.

Kaz USA, Inc., une société de Helen of Troy

400 Donald Lynch Blvd., Suite 300, Marlborough, MA 01752

Honeywell est une marque de commerce de Honeywell International, Inc. qu'utilise Helen of Troy Limited sous licence.

Honeywell International Inc. ne fait aucune assertion et n'offre aucune garantie en ce qui concerne ce produit.

Protec est une marque déposée de Helen of Troy Limited.

Distribué par Kaz Canada, Inc., une société de Helen of Troy

6700 Century Ave., Suite 210, Mississauga, ON L5N 6A4

Pour nous joindre : Composez le 1-800-477-0457 ou visitez notre site Web à www.HoneywellPluggedIn.com

Fabriqué en Chine

© 2018 Todos los Derechos Reservados

Kaz USA, Inc., una Empresa de Helen of Troy

400 Donald Lynch Blvd., Suite 300, Marlborough, MA 01752

Honeywell es una marca registrada de Honeywell International Inc., utilizada bajo licencia por Helen of Troy Limited.

Honeywell International Inc. no hace representaciones o garantías con respecto a este producto.

Protec es una marca registrada de Helen of Troy Limited.

Distribuido por Kaz Canada Inc., una Empresa de Helen of Troy

6700 Century Ave., Suite 210, Mississauga, ON L5N 6A4

Contáctenos al teléfono 1-800-477-0457 o al sitio web www.HoneywellPluggedIn.com

Hecho en China

Para reciclar responsablemente, por favor visite:

RECYCLE  NATION

www.RecycleNation.com

Helen of Troy

CREATIVE DEPARTMENT ARTWORK SPECIFICATIONS

Brand: Honeywell

Category: Humidifier

Model: **HWM845**

Artwork Part #: A001739R0

Die Line Part #: N/A

Subject: Owner's Manual

Region: US & Canada

Flat Size: IN: **W11.0 x H8.5**
MM: **W279.4 x H215.9**

Folded Size: IN: **W5.5 x H8.5**
MM: **W139.7 x H215.9**

Scale: 1/1

Material: 70g wood paper

Page count: 32

Revision: 9

Date: **16MAR18**

Release Date: 00000

Rerelease Date:

Colors:

Dielines (Do not print)

Cyan
100%

Magenta
100%

Yellow
100%

Black
100%



Special Instructions:

Quality Requirement of Artwork and Quality
Clarification Process of Artwork Printing:
Meet Eng-QS-06&02

Kaz USA, Inc., a Helen of Troy Company
Creative Services
Marlborough, MA 01752 USA
+1 508 490 7000